



1000B and 2000B

PRESSURE GAUGE SYSTEMS

Data and Configuration Sheets



Specifications:

- Pressure Range: Up to 30K
- Battery Powered Instrumentation

1. PRESSURE RANGE (SELECT ONE)

- 30PSI
 100PSI
 300PSI
 1KPSI
 3KPSI
 5KPSI
 6KPSI
 10KPSI
 20KPSI
 30KPSI

2. SENSOR CONNECTION (SELECT ONE)



2" 1502 Hammer Union (Standard)
 2" 1502 H2S Hammer Union



1" NPT



2" 2002 H2S Hammer Union
 2" 2202 H2S Hammer Union



9/16" Autoclave Sensor
 Note: Only Compatible with HDI Autoclave Flanges

3. AUTOCLAVE FLANGES (MUST SELECT 9/16" AUTOCLAVE SENSOR)

Specify Pressure Rating and Size

Pressure Rating: 5M 10M 15M 20M

Size: 1 13/16" 2 1/16" 3 1/16"





1000B AND 2000B PRESSURE GAUGESYSTEMS

Data and Configuration Sheets

4. CROSSOVER FLANGES/WYE ADAPTERS (MUST SELECT 1502 OR 2202 HAMMER UNION SENSOR)

For Wye Adapter: 1502 Connection Only

For Cross Over Flange: Specify Pressure Rating, Size, and Connection Type below.

Pressure Rating: 5M 10M 15M 20M

Size: 1 13/16" 2 1/16" 3 1/16"

Connection Type: 1502 2002 2202



5. CONFIGURATION (SELECT ONE)

- No Output (Standard)
- 4-20mA Output
- Slave Output

6. SLAVE GAUGE (MUST SELECT SLAVE OUTPUT)

- Slave Gauge w/ No Output
- Slave Gauge w/ 4-20mA Output

7. CABLE

The 2000B Pressure Gauge System does not include any cable. Inline Cable is required for new orders; clients with existing Inline Cable may use the existing cable with a new 2000B Pressure Gauge System. 4-20mA Cable and Slave Cable are only used if the 4-20mA Output or Slave Output Configuration was selected in Section 5. Cable is purchased in 5' increments.

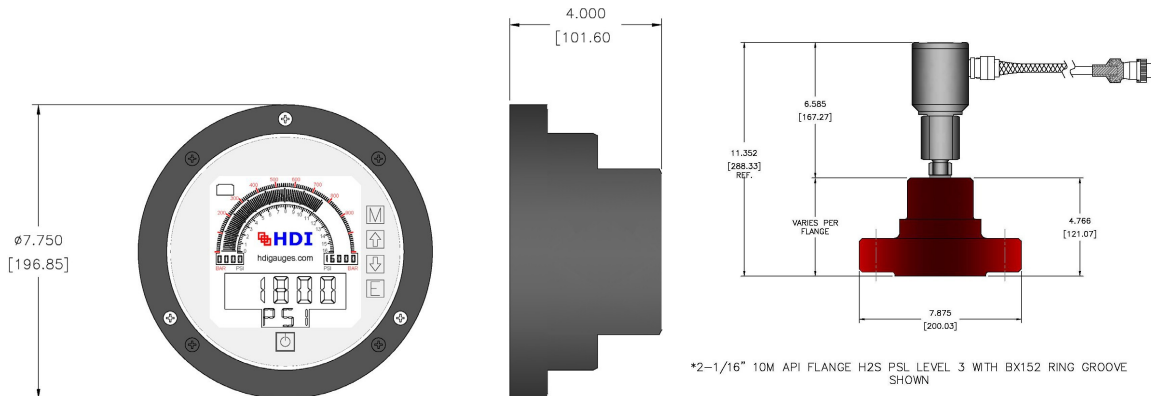
- Inline Cable: Distance from Pressure Transducer (Sensor) to 2000B Gauge Display
- 4-20mA Output Cable: Distance from 2000B Gauge Display to Local J-Box Termination Slave Cable:
- Distance from 2000B Gauge (Master) Display to 2000B Slave Display

8. CERTIFICATION

- CSA: Intrinsically Safe Class 1, Division 1, Groups A, B, C, and D (Standard)
- ATEX / IECEx: II 1 G, Ex ia IIC T4



APPENDIX A: DIMENSIONS



HDI Instruments, LLC is a registered ISO 9001:2015 company. Copyright 2021 HDI Instruments, LLC

HDI Instruments, LLC USA | 7240 BRITTMOORE ROAD, SUITE 119 | HOUSTON, TX 77041 USA
Phone: 713-688-8555 | Fax: 713-688-2228
Email: info@hdigauges.com
Website: www.hdigauges.com

Version 1, August 2021

SAFETY
PRECISION
INNOVATION

WELL CONTROL MONITORING AT ITS FINEST



APPENDIX B: REPLACEMENT SYSTEMS AND PARTS

Full Replacement 2000B Gauge Display

Specify Pressure Range, Configuration (Output), and Certification. Must be calibrated with existing HDI 2000B Sensor.

Full Replacement 2000B Sensor (Transducer)

Specify Pressure Range, Sensor Connection, and Certification. Must be calibrated with existing 2000B Gauge Display.

Part Number	Description
SUB-013	Micro P Power Pack, include MSDS Class IX UN 3090 or 3091
HDIBATTE260ADPTR	The enclosed adaptor is used to convert older "E391" batteries to use the common E260. If the HDI 202 PCB is newer style, this may not be required. No charge
FAB2000M993	1502 Diaphragm
FAB2000-M1124	2202 Diaphragm
SUB-008	6K PSI LCD Assembly HDI 201 PCB
SUB-009	10K PSI LCD Assembly HDI 201 PCB
SUB-010	16K PSI LCD Assembly HDI 201 PCB
SUB-084	HDI 202 2KB Processor Board Assy Standard 6K Preloaded Software
SUB-085	HDI 202 2KB Processor Board Assy Standard 10K Preloaded Software
SUB-086	HDI 202 2KB Processor Board Assy Standard 16K Preloaded Software
SUB-084 / SUB-172	HDI 202 2KB Processor Board Assy Standard 6K Preloaded Software 4-20mA Output
SUB-085 / SUB-172	HDI 202 2KB Processor Board Assy Standard 10K Preloaded Software 4-20mA Output
SUB-086 / SUB-172	HDI 202 2KB Processor Board Assy Standard 16K Preloaded Software 4-20mA Output
SUB-084 / SUB-015	HDI 202 2KB Processor Board Assy Standard 6K Preloaded Software Slave Output
SUB-085 / SUB-015	HDI 202 2KB Processor Board Assy Standard 10K Preloaded Software Slave Output
SUB-086 / SUB-015	HDI 202 2KB Processor Board Assy Standard 16K Preloaded Software Slave Output
SUB-031	600 Bar Pill And Temp Comp Board Assy For 6K or 10K PSI Pressure Gauge Sensors
SUB-032	1000 Bar Pill And Temp Comp Board Assy For 10K or 16K PSI Pressure Sensors
SUB-070	6-32 Screws, Standoffs, Corrosion Inhibitor, Desi Pack, Humidity Indicator, Outer Seal Gasket and Protective Lense
CONTACT HDI FOR PRODUCT CONFIGURATION	Pill Replacement Kit: Includes Pill Rubber Diaphragm, Snap Ring, Rubber Grommet for Kellum's Grip Design (Wire Mesh, Post 2009), Rubber Grommet for M983 Design (No Wire Mesh, Pre 2009), and Pill InsertionTool